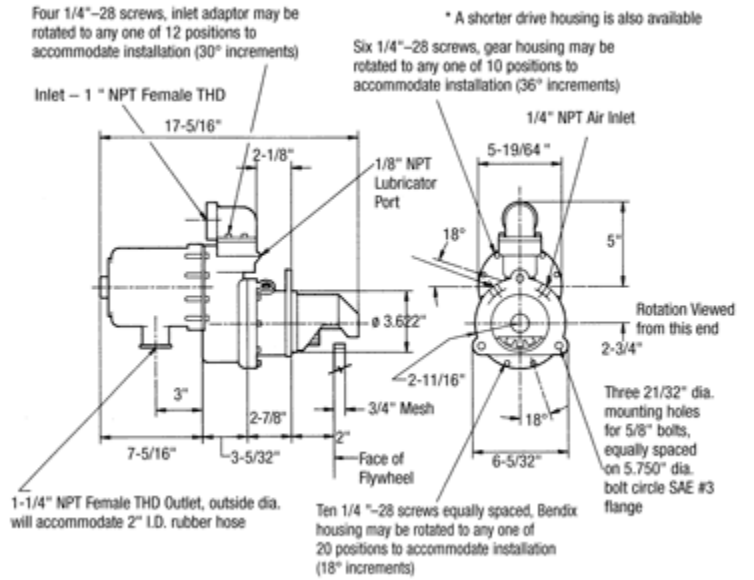
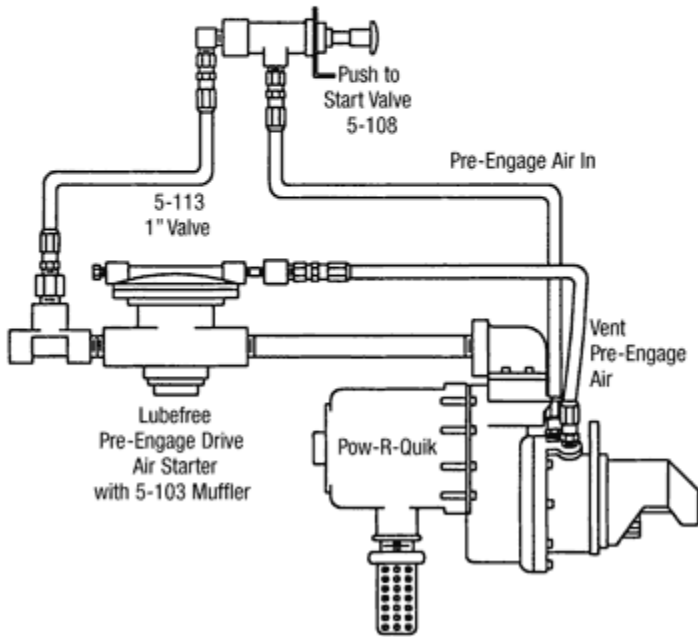


**Pre-Engaged**

For engines up to 1,500 CID (24.5 liters) diesel and 3000 CID (49 liters) carbureted

**Installation**

**TYPICAL DIESEL ENGINE INSTALLATION**



**Model LS-24 (3.36 Gear Ratio)  
Horsepower-Torque & Airflow  
vs  
Pinion Gear RPM**

