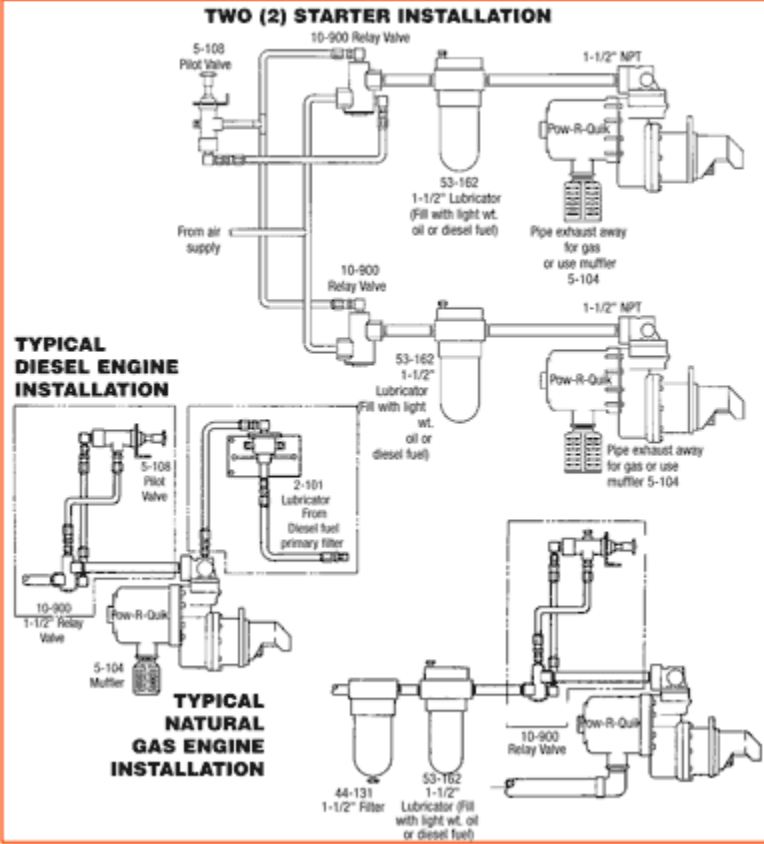


For engines up to 12,900 CID (211.4 liters) diesel and 20,000 CID (327.7 liters) carbureted

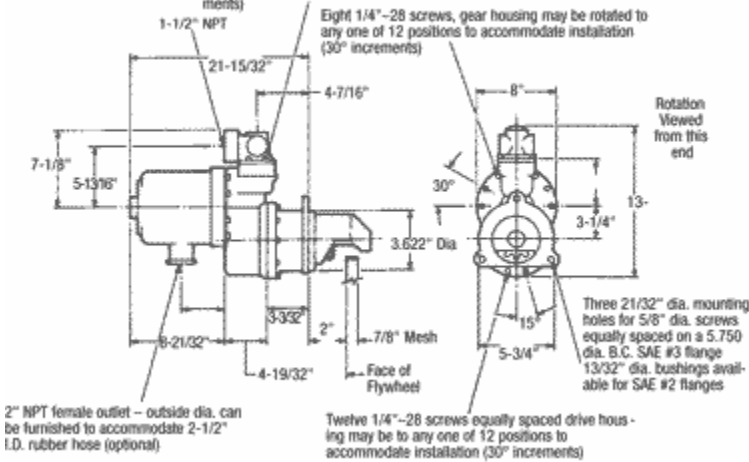
- High-strength, lightweight components.

Installation

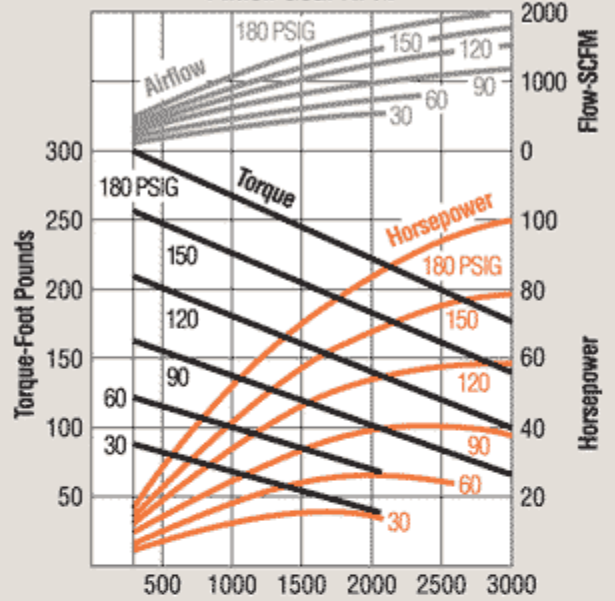


Four 1/4"-28 screws, inlet adaptor may be rotated to any one of 12 positions to accommodate installation (30° increments)

* A shorter drive housing is also available



**Model LS-60 (2.19 Gear Ratio)
Horsepower-Torque & Airflow
VS
Pinion Gear RPM**



**Model LS-61 (2.64 Gear Ratio)
Horsepower-Torque & Airflow
VS
Pinion Gear RPM**

